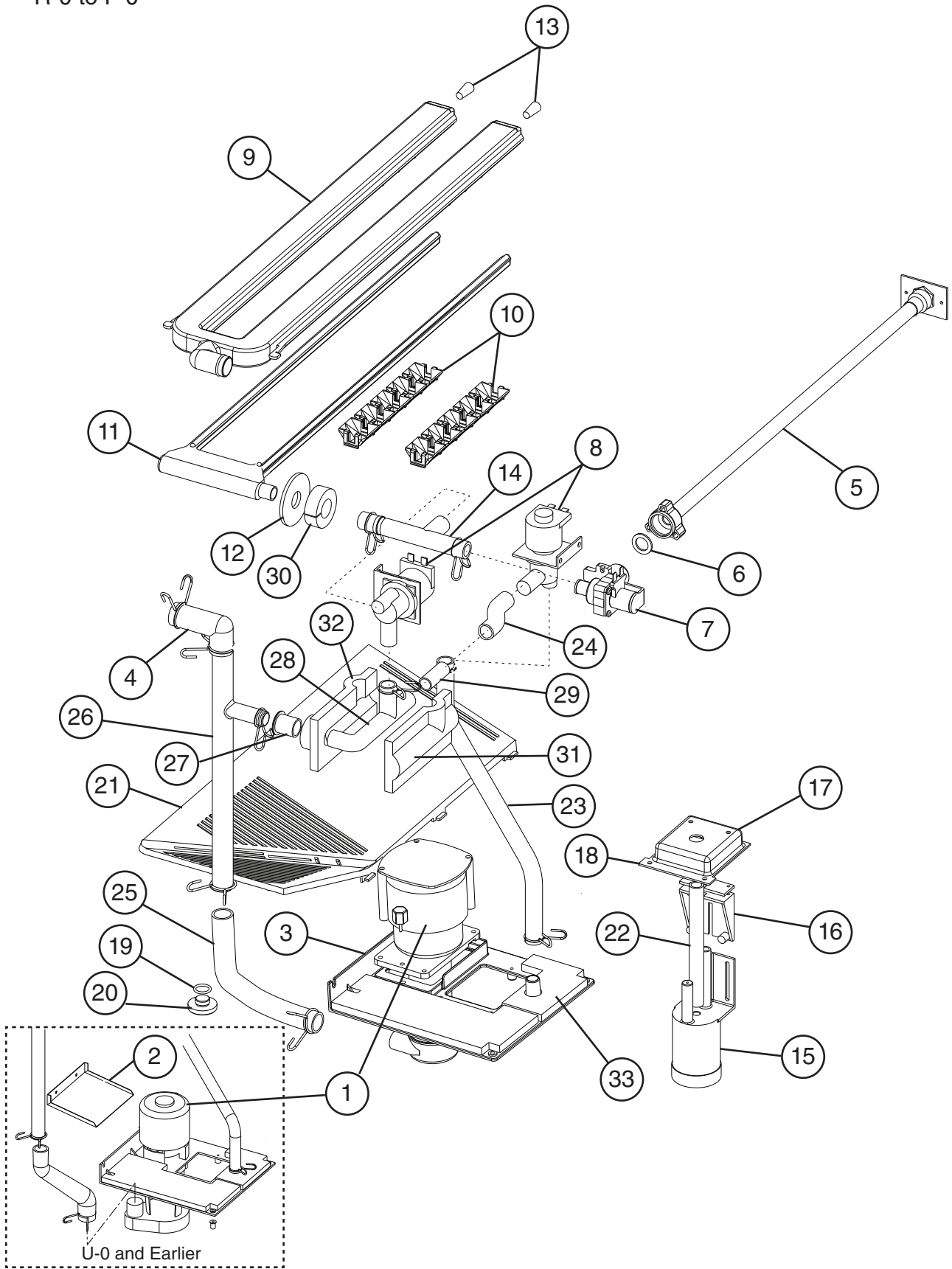


B. Water Circuit
KML-451MAH, KML-451MWH
R-0 to F-0



Title: B. Water Circuit Model: KML-451MAH, KML-451MWH													
Index No.	Description	Material or Model Number	Part Number	Required Number									
				R-0 S-1	S-2 T-0	T-0 to U-0	U-1 to F-0						
1	Pump Motor		HS-0232	1	1	1	-						
			4A4259-01				1						
2	Barrier		4A2997-01	1	1	1	-						
3	Pump Motor Bracket		2A4920G01				1						
4	Elbow		4A0393-01	1	1	1	1						
5	Water Supply Pipe		4A0768G04	1	1	1	1						
6	Rubber Gasket		413854-03	1	1	1	1						
7	Inlet Water Valve		3U0150-01	1	1	1	1						
8	Solenoid Valve (Drain and Cleaning Valve)		439322-01	2	-								
			4A3722-01		2	2	2						
9	Spray Tube		1A0260-02	1	1	1	1						
10	Spray Guide		208586-01	6	6	6	6						
11	Water Supply Tube		2A0079-01	1	1	1	1						
12	Flange		439267-01	1	1	1	1						
13	Plug		4A0176-01	2	2	2	2						
14	Water Supply Tee		4A1006-01	1	1	1	1						
15	Float Switch		4A3624-01	1	1	1	1						
16	Float Switch Bracket		327757-01	1	1	1	1						
17	Float Switch Cover		3A0665-01	1	1	1	1						
18	Float Switch Spacer		4A0650-01				1						
19	O-Ring		7611-P015	1	1	1	1						
20	Drain Plug		309246-01	1	1	1	1						
21	Cube Guide		2A0660-01	1	1	1	1						
22	Vinyl Hose	L=150 mm	7716-1216	1	1	1	1						
23	Vinyl Hose	L=325 mm	7716-1519	1	1	1	1						
24	Vinyl Hose	L=55 mm	7716-1519	1	1	1	1						
25	Pump Hose		325867-01	1	1	1	1						
26	Connecting Pipe		3A1335-01	1	1	1	1						
27	Rubber Ring		4A1004-01	1	1	1	1						
28	By Pass Hose		4A1005-01	1	1	1	1						
29	Joing Pipe		439329-01	1	1	1	1						
30	Insulation E		4A0392-01	1	1	1	1						
31	Insulation A1		4A1259-01	1	1	1	1						
32	Insulation A2		4A1260-01	1	1	1	1						
33	Insulation B		4A1053-01	1	1	1	1						
Hose Clamps													
	Hose Clamp	18 mm	427443-05	5	5	5	5						
	Hose Clamp	27 mm	427443-08	1	1	1	1						
	Hose Clamp	20 mm	427443-06	2	2	2	2						
	Hose Clamp	18 mm	4A2017-06	3	-								
			427443-05		3	3	3						
	Hose Clamp	25 mm	427443-03	3	3	3	3						